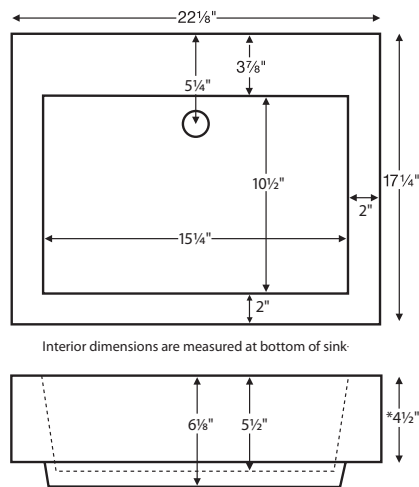


## CONSTRUCTION AND STANDARD FEATURES

- Single-bowl design; 1.75" drain opening.
- Not undermountable.
- No holes drilled standard; up to 3 holes drilled by MTI at no additional charge.
- Composite blend of natural minerals and resins.
- One-piece construction.
- Same material and color all the way through, with minor variations due to use of natural minerals.
- Durable, non-porous material is easy to clean.
- Stain, mold and mildew-resistant.
- Quality tested and certified by the NAHB.
- 5-year Limited Residential Warranty.

### 22.125" x 17.25" x 4.5"

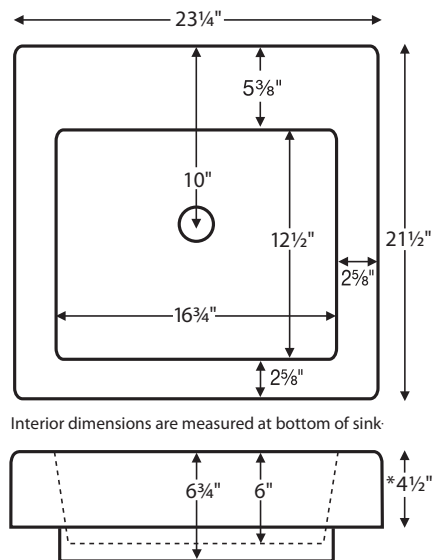


Note: Includes integrated overflow. Standard exterior sink height is 4.5".  
\*Custom height is available up to 7". Must specify when ordering.

<b>MTCS-700 Metro</b>	(MTCS700)	\$899
<b>COLORS</b>		
White or Biscuit, matte finish		STD
White or Biscuit, gloss finish		Add \$169
Additional colors available for projects only. Please call.		
<b>OPTIONS</b>		
Powder-coated steel wall-mount hardware	(SINKBRKT)	\$399
Quick Ship/Priority. Call for availability.	(QUISINKSH)	\$85
Shipping Weight: 39 lbs		

NOTES: When ordering with a wall-mount, 4 holes will be pre-drilled on the back wall of the sink to facilitate installation. Measurements are  $\pm 1/2"$  and are subject to change without notice. Data herein supersedes all previous prior to publication date indicated below.

### 23.25" x 21.5" x 4.5"



NOTE: Includes integrated overflow. Standard exterior sink height is 4.5".  
\*Custom height available up to 7". Must specify when ordering.

<b>MTCS-710 Trillium</b>	(MTCS710)	\$899
<b>COLORS</b>		
White or Biscuit, matte finish		STD
White or Biscuit, gloss finish		Add \$169
Additional colors available for projects only. Please call.		
<b>OPTIONS</b>		
Powder-coated steel wall-mount hardware	(SINKBRKT)	\$399
Quick Ship/Priority. Call for availability.	(QUISINKSH)	\$85
Shipping Weight: 57 lbs		

NOTES: When ordering with a wall-mount, 4 holes will be pre-drilled on the back wall of the sink to facilitate installation. Measurements are  $\pm 1/2"$  and are subject to change without notice. Data herein supersedes all previous prior to publication date indicated below.

