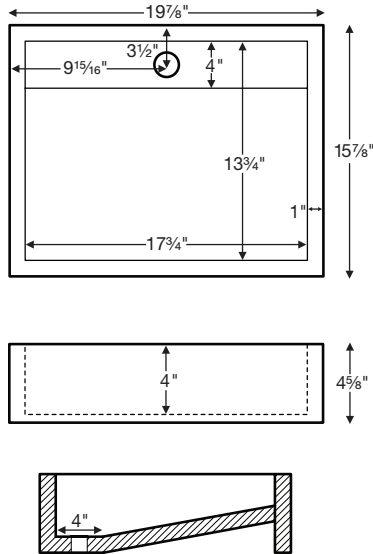


## CONSTRUCTION AND STANDARD FEATURES

- Single-bowl design; 1.75" drain opening.
- Not undermountable.
- Composite blend of natural minerals and resins.
- One-piece construction.
- Same material and color all the way through, with minor variations due to use of natural minerals.
- Durable, non-porous material is easy to clean.
- Stain, mold and mildew-resistant.
- Quality tested and certified by the NAHB.
- 5-year Limited Residential Warranty.

### 19.875" x 15.875" x 4.625"



**NOTE:** Sink has no overflow. Requires vessel-style drain kit without overflow. Check local codes.

#### MTCS-712 Wymara

(MTCS712)

\$939

#### COLORS

White or Biscuit, matte finish

STD

Additional colors available for projects only. Please call.

#### OPTIONS

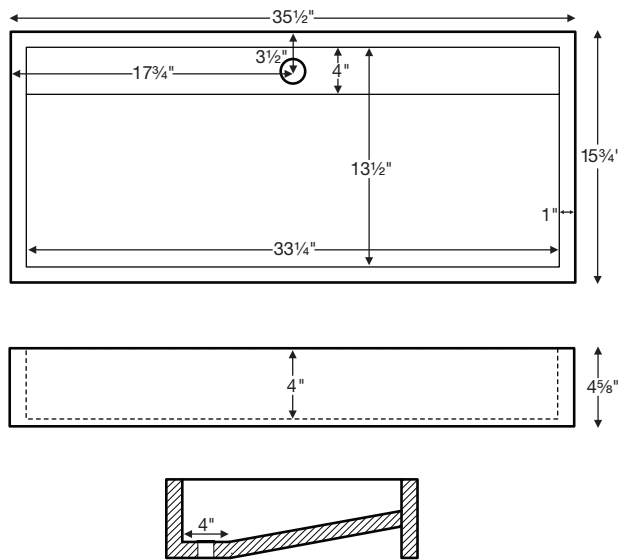
Quick Ship/Priority. Call for availability. (QUISINKSH)

\$85

Shipping Weight: 35 lbs

NOTES: Measurements are  $\pm 1/2"$  and are subject to change without notice. Data herein supersedes all previous prior to publication date indicated below.

### 35.5" x 15.75" x 4.625"



**NOTE:** Sink has no overflow. Requires vessel-style drain kit without overflow. Check local codes.

#### MTCS-713 Wymara Double

(MTCS713)

\$999

#### COLORS

White or Biscuit, matte finish

STD

Additional colors available for projects only. Please call.

#### OPTIONS

Quick Ship/Priority. Call for availability. (QUISINKSH)

\$85

Shipping Weight: 70 lbs

NOTES: Measurements are  $\pm 1/2"$  and are subject to change without notice. Data herein supersedes all previous prior to publication date indicated below.