

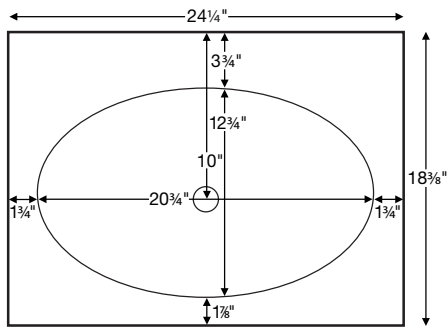
CONSTRUCTION AND STANDARD FEATURES

- Single-bowl design; 1.75" drain opening.
- Can be installed vessel-style, wall-mounted or undermounted.
- No holes drilled standard; up to 3 holes drilled by MTI at no additional charge.
- One-piece construction.
- Constructed using MTI's "ESS" (Engineered Solid-Surface) material, which is a mixture of ground natural materials and binding agents that are liquefied, poured and then hardened.
- Approximately 60% of the material is organic, including minerals mined from the earth and dirt, making it "Green".
- Same material and color all the way through, with minor variations due to use of natural minerals.
- Durable, non-porous material is easy to clean.
- Stain, mold and mildew-resistant.
- Quality tested and certified by the NAHB.
- 5-year Limited Residential Warranty.

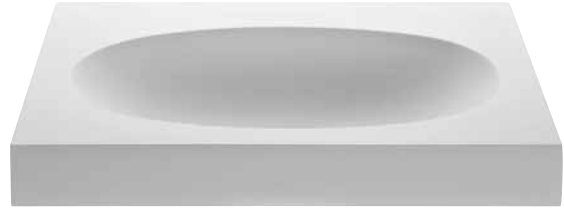
24.25" x 18.375" x 3.125" * Drop-In configuration

*NOTE: Standard exterior sink height is 3.125".

Custom height available up to 6.625". Must specify when ordering.



Note difference



Note: Sink has no overflow standard. Integrated overflow is available by request.

MTCS-719 Akana

(MTCS719)

COLORS

White or Biscuit, matte finish
White or Biscuit, gloss finish

Note: At no additional charge, Osprey or Raven colors in gloss finish are available only when ordered with a matching color ESS tub. Additional colors available for projects only. Please call.

OPTIONS

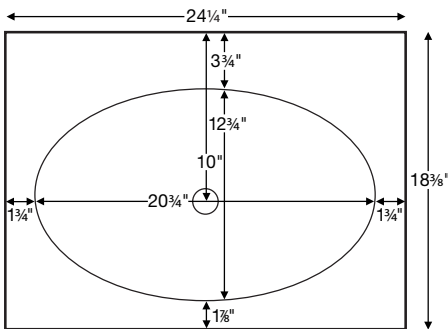
Powder-coated steel wall-mount hardware (SINKBRKT) \$399
Integrated overflow (SINKIO) N/C
Quick Ship/Priority. Call for availability. (QUISINKSH) \$85
Shipping Weight: 42 lbs
Shipping Weight with wall mount: 52 lbs

\$899
STD
Add \$169

24.25" x 18.375" x 3.125" * Drop-In with integrated overflow configuration

*NOTE: Standard exterior sink height is 3.125".

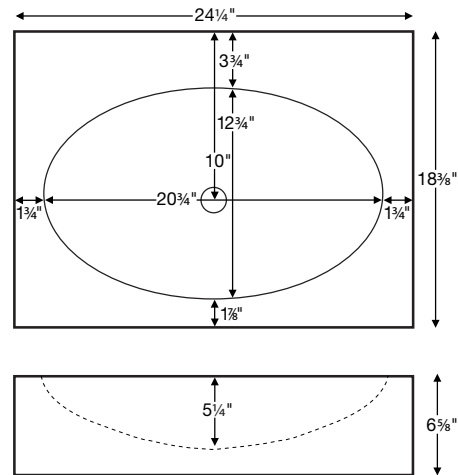
Custom height available up to 6.625". Must specify when ordering.



Note difference

24.25" x 18.375" x 6.625" * Wall-Mount configuration

*NOTE: When ordering with a wall-mount, 4 holes will be pre-drilled on the back wall of the sink to facilitate installation and overall height will be 6.625", either with or without integrated overflow.



NOTES: Measurements are ±1/2" and are subject to change without notice. Data herein supersedes all previous prior to publication date indicated below.

