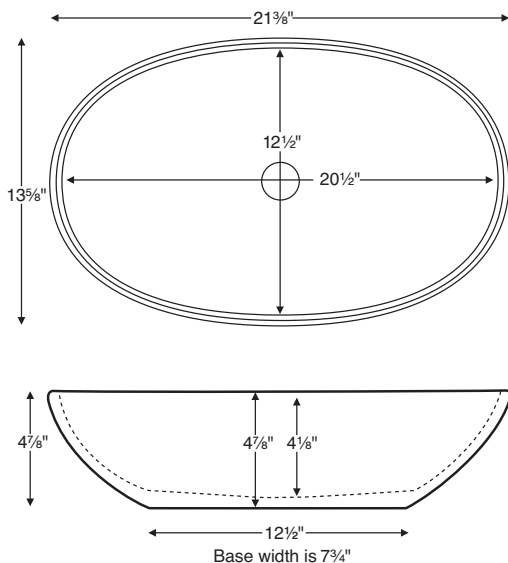


## CONSTRUCTION AND STANDARD FEATURES

- Single-bowl design; 1.75" drain opening.
- Not undermountable.
- Composite blend of natural minerals and resins.
- One-piece construction.
- Same material and color all the way through, with minor variations due to use of natural minerals.
- Durable, non-porous material is easy to clean.
- Stain, mold and mildew-resistant.
- Quality tested and certified by the NAHB.
- 5-year Limited Residential Warranty.

### 21.375" x 13.625" x 4.875"



**NOTE:** Sink has no overflow. Requires vessel-style drain kit without overflow. Check local codes.

#### MTCS-716 Alissa

(MTCS716)

\$649

#### COLORS:

White or Biscuit, matte finish

White or Biscuit, gloss finish

Additional colors available for projects only. Please call.

STD  
Add \$169

#### OPTIONS

Quick Ship/Priority. Call for availability.

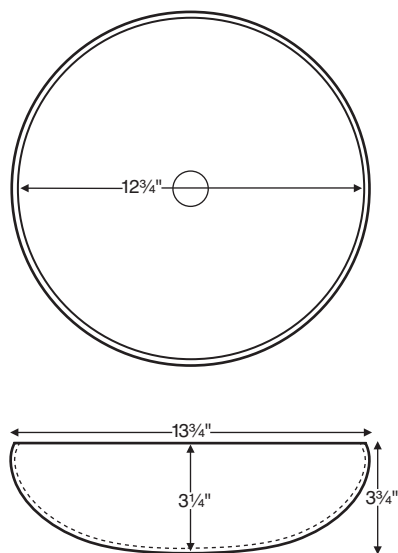
(QUISINKSH)

\$85

Shipping Weight: 14 lbs

NOTES: Sink rests on top of counter. Cut-out for the drain installation and sink base is required. Measurements are  $\pm 1/2"$  and are subject to change without notice. Data herein supersedes all previous prior to publication date indicated below.

### 13.75" x 3.75"



**NOTE:** Sink has no overflow. Requires vessel-style drain kit without overflow. Check local codes.

#### MTCS-720 Luna

(MTCS720)

\$579

#### COLORS:

White or Biscuit, matte finish

White or Biscuit, gloss finish

Additional colors available for projects only. Please call.

STD  
Add \$169

#### OPTIONS

Quick Ship/Priority. Call for availability.

(QUISINKSH)

\$85

Shipping Weight: 13 lbs

NOTES: Sink rests on top of counter. Cut-out for the drain installation is required. Measurements are  $\pm 1/2"$  and are subject to change without notice. Data herein supersedes all previous prior to publication date indicated below.

