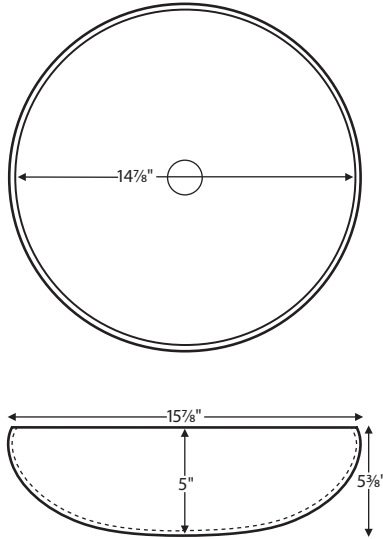


CONSTRUCTION AND STANDARD FEATURES

- Single-bowl design; 1.75" drain opening.
- Not undermountable.
- No holes drilled standard; up to 3 holes drilled by MTI at no additional charge.
- Composite blend of natural minerals and resins.
- One-piece construction.
- Same material and color all the way through, with minor variations due to use of natural minerals.
- Durable, non-porous material is easy to clean.
- Stain, mold and mildew-resistant.
- Quality tested and certified by the NAHB.
- 5-year Limited Residential Warranty.

15.875" x 5.375"



NOTE: Sink has no overflow. Requires vessel-style drain kit without overflow. Check local codes.

MTCS-721 Luna 2

(MTCS721)

\$649

COLORS:

White or Biscuit, matte finish

White or Biscuit, gloss finish

Additional colors available for projects only. Please call.

STD
Add \$169

OPTIONS

Quick Ship / Priority. Call for availability.

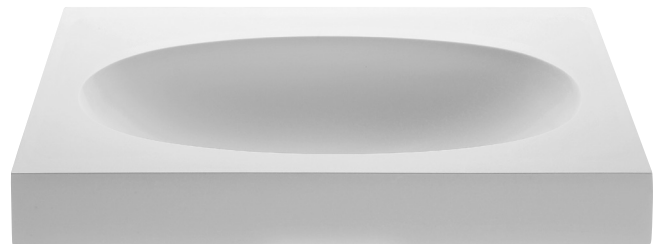
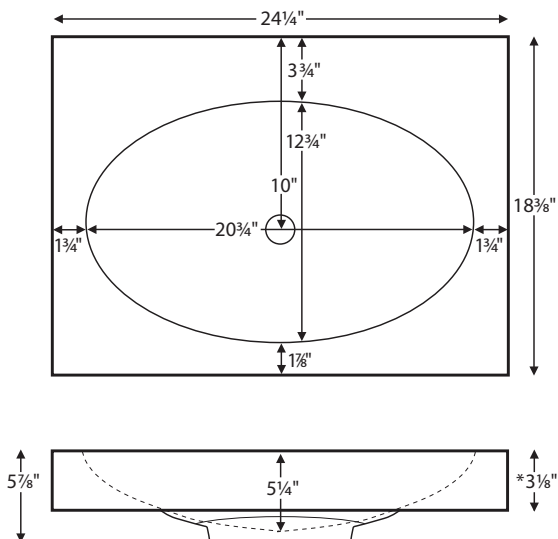
(QUISINKSH)

\$85

Shipping Weight: 14 lbs

NOTES: Sink rests on top of counter. Cut-out for the drain installation and sink base is required. Measurements are $\pm 1/2$ " and are subject to change without notice. Data herein supersedes all previous prior to publication date indicated below.

24.25" x 18.375" x 3.125"



Note: Includes integrated overflow. Standard exterior height is 3.125".
*Custom height is available from 1" to 5". Must specify when ordering.

MTCS-719 Akana

(MTCS719)

\$939

COLORS

White or Biscuit, matte finish

White or Biscuit, gloss finish

Additional colors available for projects only. Please call.

STD
Add \$169

OPTIONS

Powder-coated steel wall-mount hardware

(SINKBRKT)

\$399

Quick Ship / Priority. Call for availability.

(QUISINKSH)

\$85

Shipping Weight: 42 lbs

NOTES: When ordering with a wall-mount, 4 holes will be pre-drilled on the back wall of the sink to facilitate installation. Measurements are $\pm 1/2$ " and are subject to change without notice. Data herein supersedes all previous prior to publication date indicated below.

