

Shower Bases

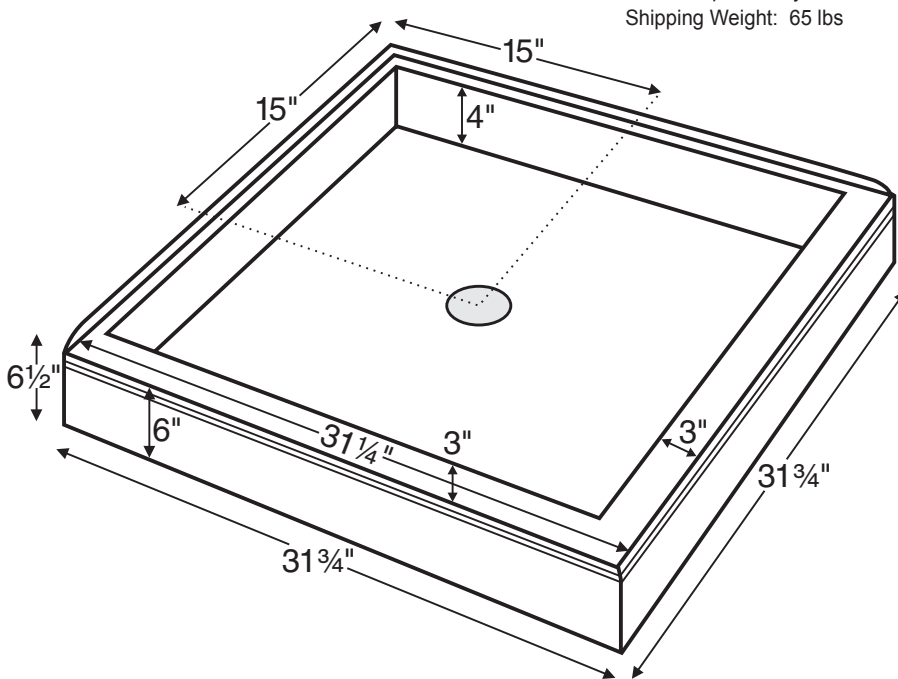
MTSB-3232DT Center Drain/Dual Threshold

CONSTRUCTION AND STANDARD FEATURES

- Dual threshold; 3.5" drain opening pre-drilled.
- Durable Lucite® cast acrylic shell is extremely scratch- and stain-resistant, yet renewable because the color goes all the way through the material.
- Non-porous surface makes cleaning and sanitizing faster and more effective.
- Multi-layered backing of thick fiberglass / resin / titanium encloses wood reinforcement to prevent flexing of floor pan.
- At least 30% thicker and stronger than other makes.
- Pre-leveled with integral tile flange on 2 sides to facilitate installation.
- Textured bottom that meets ASTM F-462-1994 certification requirements for safer showering.
- NAHB Certified.
- 10-year Limited Residential Warranty.



31.75" x 31.75" x 6"



MTSB-3232DT

(SB3232DT)

\$1038

COLORS

Standard: White, Bone, Biscuit, Almond

Other Colors: See p M-1

STD

\$1,226

OPTIONS

Drain Kits

Polished Chrome

Polished Brass

Brushed Nickel

Special Finish (Allow 2 weeks)

Teak Shower Tray

Shower Enclosure(s) Available

Pre-leveled Foam Base

Quick Ship / Priority. Call for availability.

Shipping Weight: 65 lbs

STD

(SBDKB) \$69

(SBDKBN) \$69

(SBDKSF) \$315

(TK-3232DT) \$396

N/A

(PLFSB) \$129

(QSPRI) \$260

INSTALLATION: MTI recommends Quickcrete Sand Mix for proper bedding, or MTI's Pre-Leveled Foam Base. See installation instructions. Measurements are $\pm 1/2"$ and are subject to change without notice. Data herein supersedes all previous prior to publication date indicated below.