

# Shower Bases

## MTSB-4842 Center Drain/Rectangle

### CONSTRUCTION AND STANDARD FEATURES

- Single, front threshold; 3.5" drain opening pre-drilled.
- Durable Lucite® cast acrylic shell is extremely scratch- and stain-resistant, yet renewable because the color goes all the way through the material.
- Non-porous surface makes cleaning and sanitizing faster and more effective.
- Multi-layered backing of thick fiberglass / resin / titanium encloses wood reinforcement to prevent flexing of floor pan.
- At least 30% thicker and stronger than other makes.
- Pre-leveled with integral tile flange on 3 sides to facilitate installation.
- Textured bottom that meets ASTM F-462-1994 certification requirements for safer showering.
- NAHB Certified.
- 10-year Limited Residential Warranty.



### MTSB-4842

(SB4842)

\$981

#### COLORS

Standard: White, Bone, Biscuit, Almond

Other Colors: See p M-1

STD

\$1,203

#### OPTIONS

##### Drain Kits

Polished Chrome

STD

Polished Brass

(SBDKB)

\$69

Brushed Nickel

(SBDKBN)

\$69

Special Finish (Allow 2 weeks)

(SBDKSF)

\$315

Teak Shower Tray

(TK-4842)

\$707

Shower Enclosure(s) Available

See Sec K\*

\*Pages K-1, K-6

Pre-leveled Foam Base

(PLFSB)

\$129

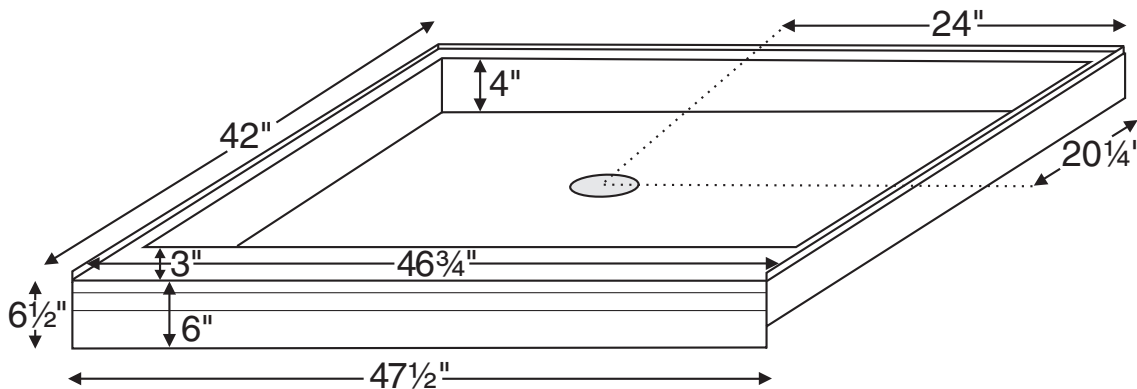
Quick Ship / Priority. Call for availability.

(QSPRI)

\$260

Shipping Weight: 75 lbs

47.5" x 42" x 6"



INSTALLATION: MTI recommends Quickcrete Sand Mix for proper bedding, or MTI's Pre-Leveled Foam Base. See installation instructions. Measurements are  $\pm 1/2$ " and are subject to change without notice. Data herein supersedes all previous prior to publication date indicated below.