

Shower Bases

MTSB-4848DT Center Drain/Dual Threshold

CONSTRUCTION AND STANDARD FEATURES

- Dual threshold; 3.5" drain opening pre-drilled.
- Durable Lucite® cast acrylic shell is extremely scratch- and stain-resistant, yet renewable because the color goes all the way through the material.
- Non-porous surface makes cleaning and sanitizing faster and more effective.
- Multi-layered backing of thick fiberglass / resin / titanium encloses wood reinforcement to prevent flexing of floor pan.
- At least 30% thicker and stronger than other makes.
- Pre-leveled with integral tile flange on 2 sides to facilitate installation.
- Textured bottom that meets ASTM F-462-1994 certification requirements for safer showering.
- NAHB Certified.
- 10-year Limited Residential Warranty.



MTSB-4848DT

(SB4848DT)

\$1,124

COLORS

Standard: White, Bone, Biscuit, Almond

Other Colors: See p M-1

STD

\$1,366

OPTIONS

Drain Kits

Polished Chrome

Polished Brass

Brushed Nickel

Special Finish (Allow 2 weeks)

Teak Shower Tray

Shower Enclosure(s) Available

Pre-leveled Foam Base

Quick Ship / Priority. Call for availability.

Shipping Weight: 85 lbs

(SBDKB)

(SBDKBN)

(SBDKSF)

(TK-4848DT)

(PLFSB)

(QSPRI)

STD

\$69

\$69

\$315

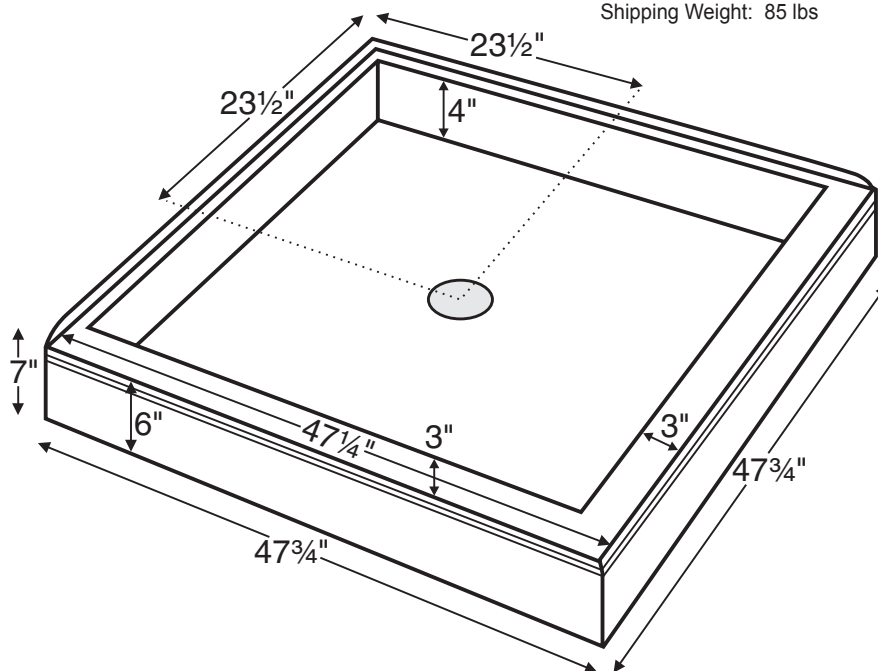
\$832

See p K-10

\$129

\$260

47.75" x 47.75" x 6"



INSTALLATION: MTI recommends Quickcrete Sand Mix for proper bedding, or MTI's Pre-Leveled Foam Base. See installation instructions. Measurements are $\pm 1/2"$ and are subject to change without notice. Data herein supersedes all previous prior to publication date indicated below.