

Shower Bases

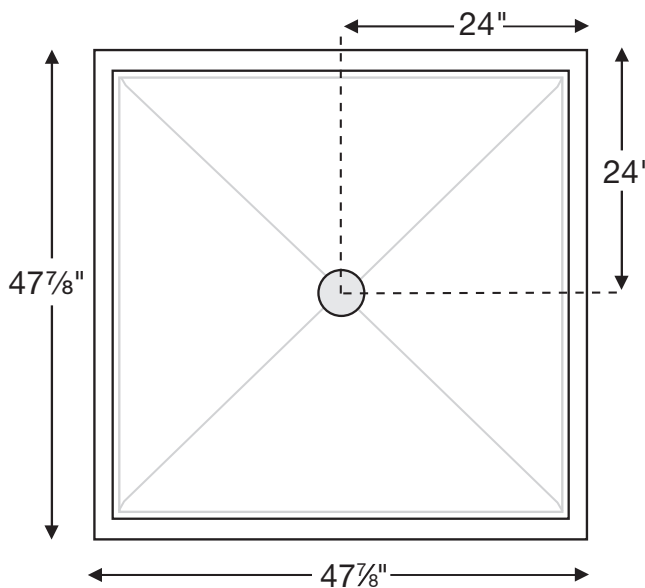
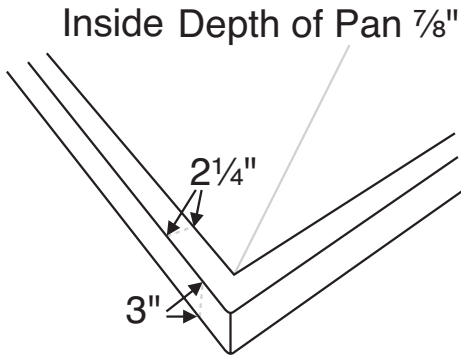
MTSB-4848MT Center Drain/Square

CONSTRUCTION AND STANDARD FEATURES

- Multiple threshold design; 3.5" drain opening pre-drilled.
- Low-profile, narrow threshold and shallow pan.
- Durable Lucite® cast acrylic shell is extremely scratch- and stain-resistant, yet renewable because the color goes all the way through the material.
- Non-porous surface makes cleaning and sanitizing faster and more effective.
- Multi-layered backing of thick fiberglass / resin / titanium encloses wood reinforcement to prevent flexing of floor pan.
- At least 30% thicker and stronger than other makes.
- **Pre-leveled with factory-installed tile flange on 1, 2 or 3 sides to facilitate installation. PLEASE SPECIFY WHICH SIDES WHEN ORDERING.**
- Textured bottom that meets ASTM F-462-1994 certification requirements for safer showering.
- NAHB Certified.
- 10-year Limited Residential Warranty.



47.875" X 47.875" X 3"



MTSB-4848MT

(SB4848MT)

\$1,293

COLORS

Standard: White, Bone, Biscuit, Almond

Other Colors: See p M-1

STD

\$1,521

OPTIONS

Drain Kits

Polished Chrome

STD

Polished Brass

(SBDKB)

\$69

Brushed Nickel

(SBDKBN)

\$69

Special Finish (Allow 2 weeks)

(SBDKSF)

\$315

Teak Shower Tray

(TK-4848MT)

\$903

Shower Enclosure(s) Available

See Sec K*

*Pages K-1, K-6, K-10

Pre-leveled Foam Base

(PLFSB)

\$129

Quick Ship / Priority. Call for availability.

(QSPRI)

\$260

Shipping Weight: 85 lbs

WHEN ORDERING PLEASE SPECIFY:

- TILE FLANGE LOCATION(S)

INSTALLATION: MTI recommends Quickrete Sand Mix for proper bedding, or MTI's Pre-Leveled Foam Base. See installation instructions. Measurements are $\pm 1/2"$ and are subject to change without notice. Data herein supersedes all previous prior to publication date indicated below.