

Shower Bases

MTSB-6027-36 Crescent Bow-Front

CONSTRUCTION AND STANDARD FEATURES

- Single, curved front threshold; 3.5" drain opening pre-drilled. Mimics the shape of the Crescent Rod™ curved shower rods found in upscale hotels.
- Durable Lucite® cast acrylic shell is extremely scratch- and stain-resistant, yet renewable because the color goes all the way through the material.
- Non-porous surface makes cleaning and sanitizing faster and more effective.
- Multi-layered backing of thick fiberglass / resin / titanium encloses wood reinforcement to prevent flexing of floor pan.
- At least 30% thicker and stronger than other makes.
- Pre-leveled with integral tile flange on 3 sides to facilitate installation.
- Textured bottom that meets ASTM F-462-1994 certification requirements for safer showering.
- NAHB Certified.
- 10-year Limited Residential Warranty.



MTSB-6027-36

(SB6027-36)

\$1,113

COLORS

Standard: White, Bone, Biscuit, Almond

Other Colors: See p M-1

STD

\$1,313

OPTIONS

Drain Kits

Polished Chrome

STD

Polished Brass

(SBDKB)

\$69

Brushed Nickel

(SBDKBN)

\$69

Special Finish (Allow 2 weeks)

(SBDKSF)

\$315

Teak Shower Tray

(TK-6027-36)

\$837

Shower Enclosure(s) Available

See p K-12

Pre-leveled Foam Base

(PLFSB)

\$139

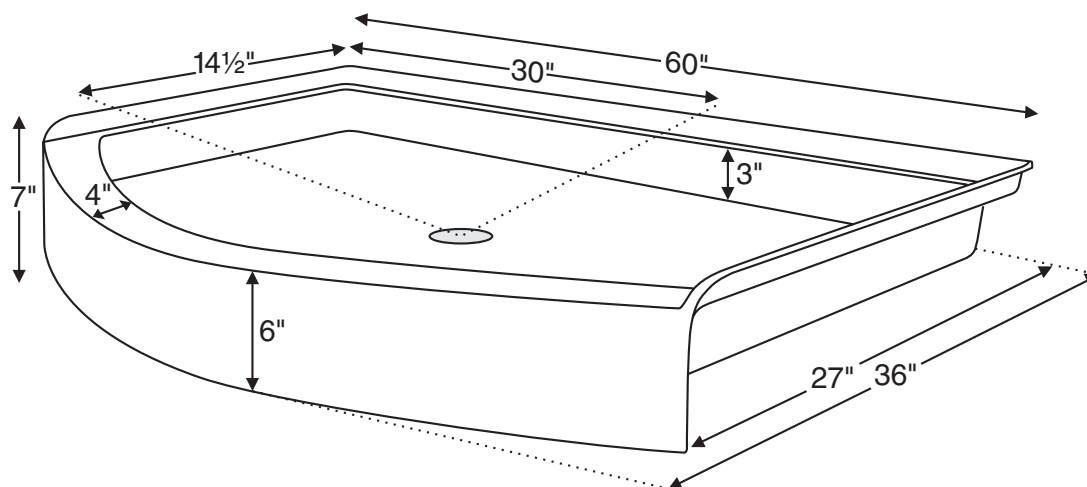
Quick Ship / Priority. Call for availability.

(QSPRI)

\$260

Shipping Weight: 125 lbs

60" x 27" / 36" x 6"



INSTALLATION: MTI recommends Quickcrete Sand Mix for proper bedding, or MTI's Pre-Leveled Foam Base. See installation instructions. Measurements are $\pm 1/2"$ and are subject to change without notice. Data herein supersedes all previous prior to publication date indicated below.