

Shower Bases

MTSB-6032 Seated End Drain/Seated

CONSTRUCTION AND STANDARD FEATURES

- Single, front threshold with integrated seat; 3.5" drain opening pre-drilled.
- Integral tile flange.
- Durable Lucite® cast acrylic shell is extremely scratch- and stain-resistant, yet renewable because the color goes all the way through the material.
- Non-porous surface makes cleaning and sanitizing faster and more effective.
- Multi-layered backing of thick fiberglass / resin / titanium encloses wood reinforcement to prevent flexing of floor pan.
- At least 30% thicker and stronger than other makes.
- Textured bottom that meets ASTM F-462-1994 certification requirements for safer showering.
- NAHB Certified.
- 10-year Limited Residential Warranty.



MTSB-6032 Seated

(SB6032SEATED)

\$1,271

COLORS

Standard: White, Bone, Biscuit, Almond

STD

Other Colors: See p M-1

\$1,483

OPTIONS

Drain Kits

Polished Chrome

STD

Polished Brass

(SBDKB)

\$69

Brushed Nickel

(SBDKBN)

\$69

Special Finish (Allow 2 weeks)

(SBDKSF)

\$315

Teak Shower Tray

(TK-6032SEATED)

\$711

Shower Enclosure(s) Available

See Sec K*

*Pages K-2, K-16

Pre-leveled Foam Base

(PLFSB)

\$149

Quick Ship / Priority. Call for availability.

(QSPRI)

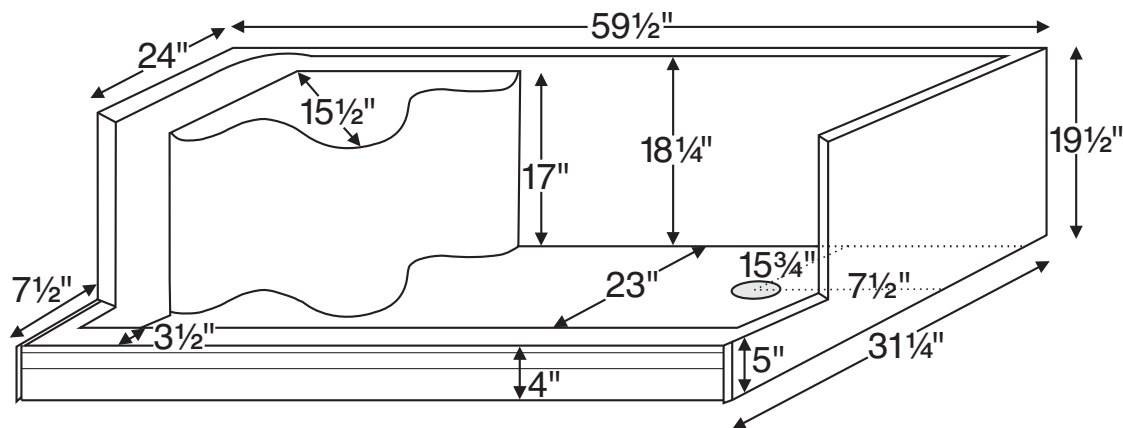
\$260

Shipping Weight: 100 lbs

WHEN ORDERING PLEASE SPECIFY:

- LEFT- OR RIGHT-HAND DRAIN

59.5" x 31.25" x 19.5"



INSTALLATION: MTI recommends Quickcrete Sand Mix for proper bedding, or MTI's Pre-Leveled Foam Base. See installation instructions. Measurements are $\pm 1/2$ " and are subject to change without notice. Data herein supersedes all previous prior to publication date indicated below.