

# Shower Bases

## MTSB-6060MT Center Drain/Square

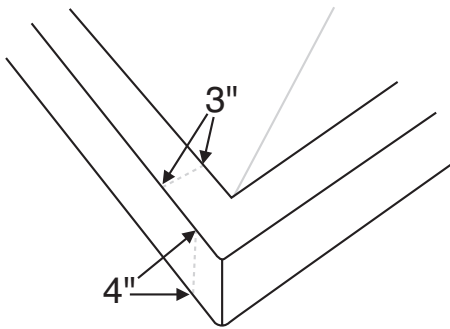
### CONSTRUCTION AND STANDARD FEATURES

- Multiple threshold design; 3.5" drain opening pre-drilled.
- Low-profile, narrow threshold and shallow pan.
- Durable Lucite® cast acrylic shell is extremely scratch- and stain-resistant, yet renewable because the color goes all the way through the material.
- Non-porous surface makes cleaning and sanitizing faster and more effective.
- Multi-layered backing of thick fiberglass / resin / titanium encloses wood reinforcement to prevent flexing of floor pan.
- At least 30% thicker and stronger than other makes.
- **Pre-leveled with factory-installed tile flange on 1, 2 or 3 sides to facilitate installation. PLEASE SPECIFY WHICH SIDE(S) WHEN ORDERING.**
- Textured bottom that meets ASTM F-462-1994 certification requirements for safer showering.
- NAHB Certified.
- 10-year Limited Residential Warranty.



59.75" x 59.75" x 4"

Inside Depth of Pan 1 1/2"



**MTSB-6060MT**

(SB6060MT)

\$1,360

#### COLORS

Standard: White, Bone, Biscuit, Almond  
Other Colors: See p M-1

STD  
\$1,720

#### OPTIONS

##### Drain Kits

Polished Chrome

STD

Polished Brass

(SBDKB)

\$69

Brushed Nickel

(SBDKBN)

\$69

Special Finish (Allow 2 weeks)

(SBDKSF)

\$315

Teak Shower Tray

(TK-6060MT)

\$1,457

Shower Enclosure(s) Available

\*Pages K-2, K-6, K-10, K-16

See Sec K\*

Pre-leveled Foam Base

(PLFSB)

\$149

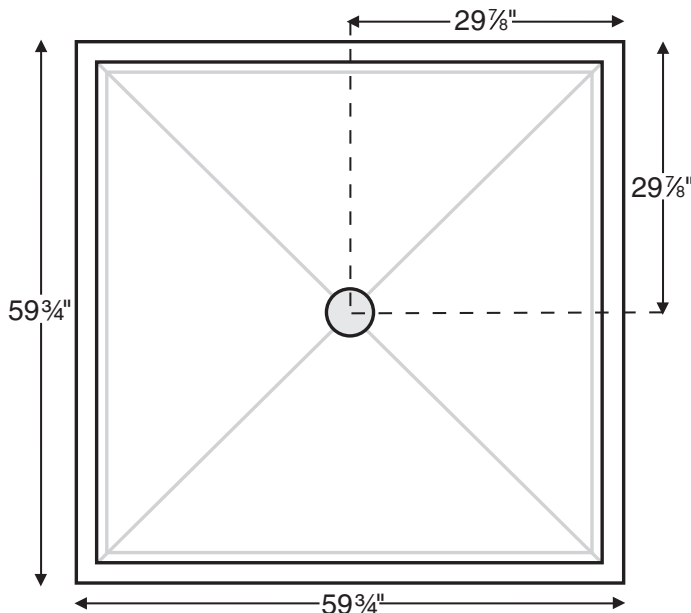
Quick Ship / Priority. Call for availability.

(QSPRI)

\$260

Shipping Weight: 150 lbs

**WHEN ORDERING PLEASE SPECIFY:  
•TILE FLANGE LOCATION(S)**



INSTALLATION: MTI recommends Quickcrete Sand Mix for proper bedding, or MTI's Pre-Leveled Foam Base. See installation instructions. Measurements are  $\pm 1/2"$  and are subject to change without notice. Data herein supersedes all previous prior to publication date indicated below.