

Shower Bases/Engineered Solid-Surface **MTSB-SS6032HD** End Drain/Rectangle

CONSTRUCTION AND STANDARD FEATURES

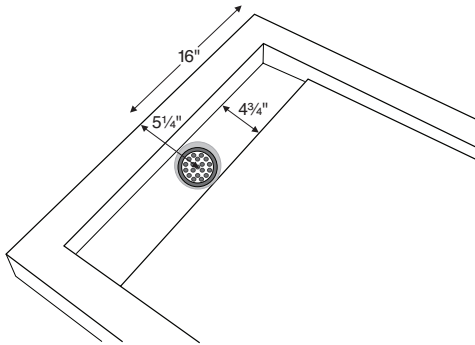
- Engineered with concealed drain.
- Drain cover is removable for drain access.
- Multiple threshold design; 3.5" drain opening pre-drilled.
- Low-profile, narrow threshold and shallow pan.
- Pre-leveled foam base.
- Factory installed tile flange on 1, 2 or 3 sides to facilitate installation. **PLEASE SPECIFY WHICH SIDES WHEN ORDERING.**
- NAHB Certified.
- 5-year Limited Residential Warranty.



Shown with standard Solid-Surface Hidden Drain Cover.



Shown with optional Teak Hidden Drain Cover.



MTSB-SS6032HD

(SBSS6032HD)

\$2,139

COLORS

Standard: White or Biscuit, matte finish

STD

OPTIONS

Drain Kits

Polished Chrome

STD

Polished Brass

(SBDKB)

\$69

Brushed Nickel

(SBDKBN)

\$69

Special Finish (Allow 2 weeks)

(SBDKSF)

\$315

Teak Hidden Drain Cover

(TK-HD32)

\$149

Shower Enclosure(s) Available

See Sec K*

*Pages K-2, K-6, K-16

Quick Ship / Priority. Call for availability.

(QSPRI)

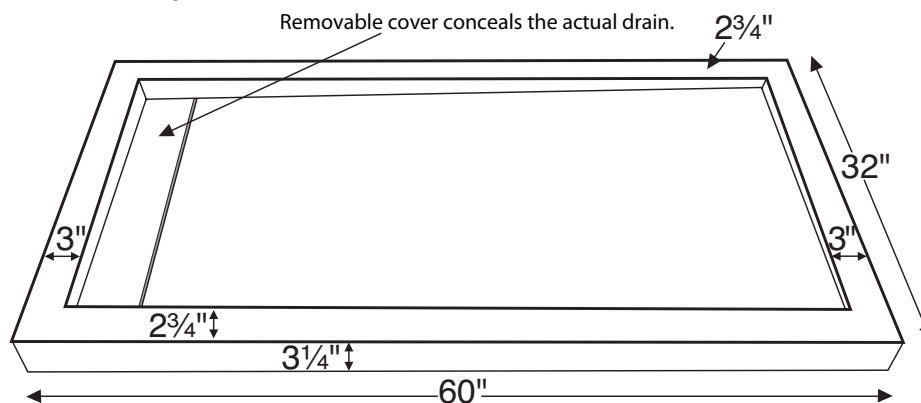
\$520

Shipping Weight: 180 lbs

WHEN ORDERING PLEASE SPECIFY:

- LEFT- OR RIGHT-HAND DRAIN
- TILE FLANGE LOCATION(S)

60" x 32" x 3.25" deep



INSTALLATION: See installation instructions. Measurements are $\pm 1/2"$ and are subject to change without notice. Data herein supersedes all previous prior to publication date indicated below.